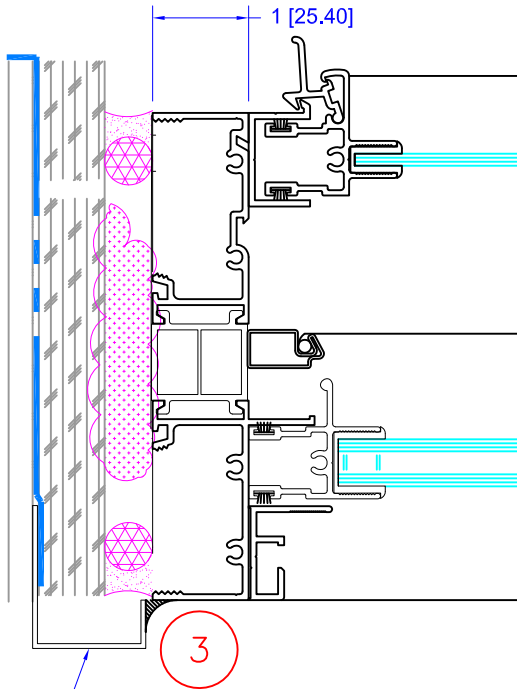
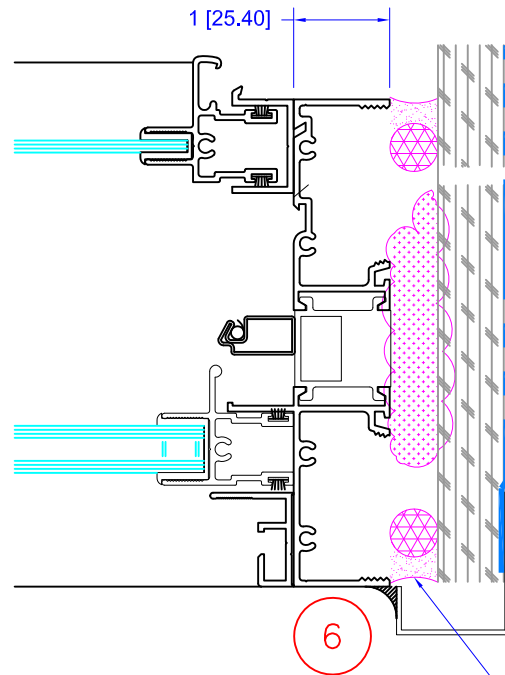
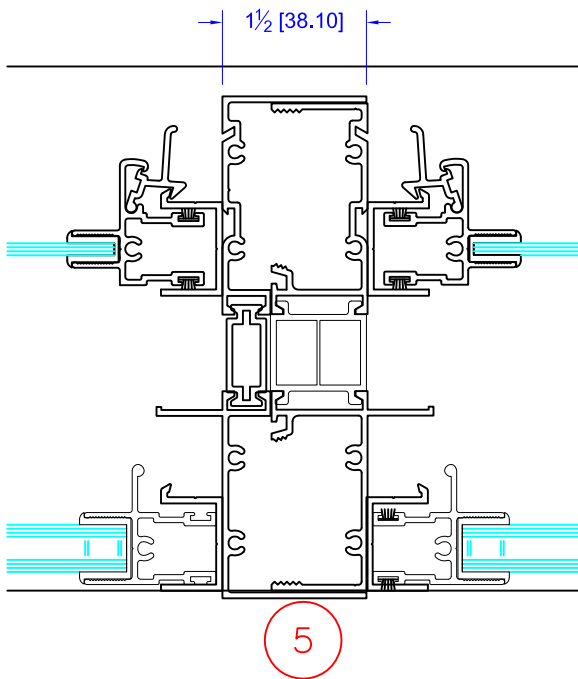
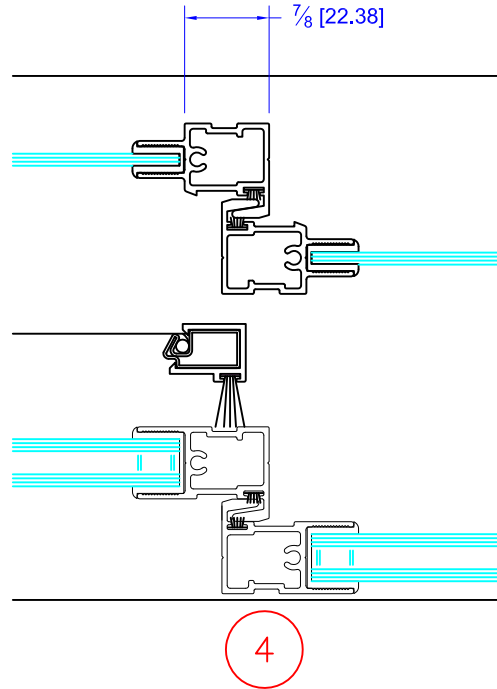


ELEVATION



J-TRIM AS REQUIRED

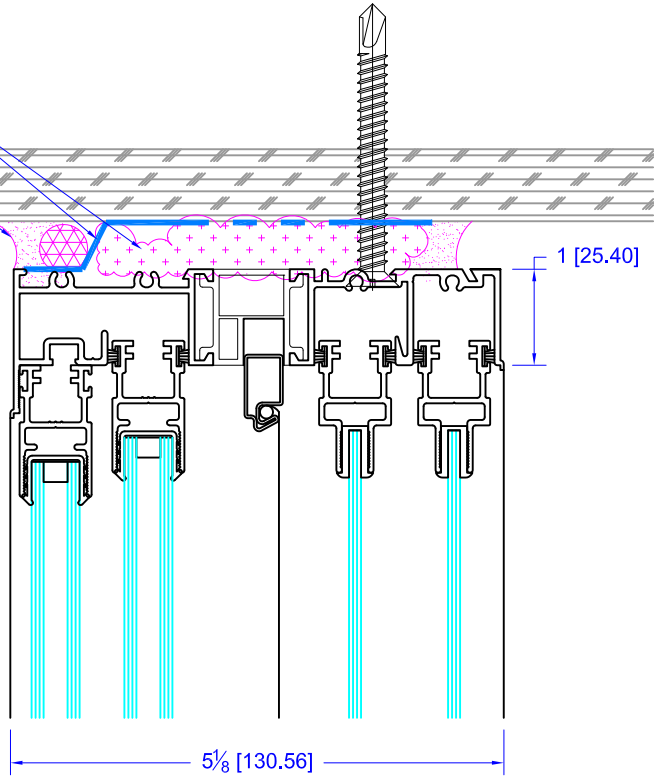


CONTS. AVB
CONTS.
BACKER ROD
AND SEALANT

SPRAY-IN FOAM
INSULATION AND AVB

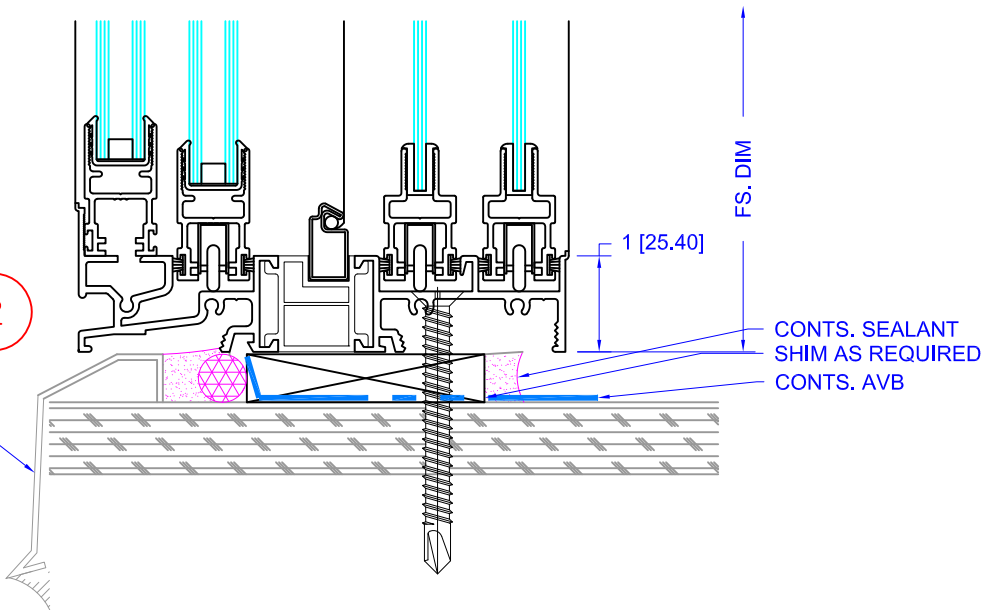
CONTS. BACKER ROD
AND SEALANT

1



2

ALUM. SILL FLASHING



NORSTAR
WINDOWS & DOORS LTD.

CUSTOMER

PROJECT
6100 SERIES TYPICAL
SECTION DETAILS

BY	JOB #	DATE	SCALE	PAGE
EB	0000	00/00 2012	6"=1'-0"	SD1