

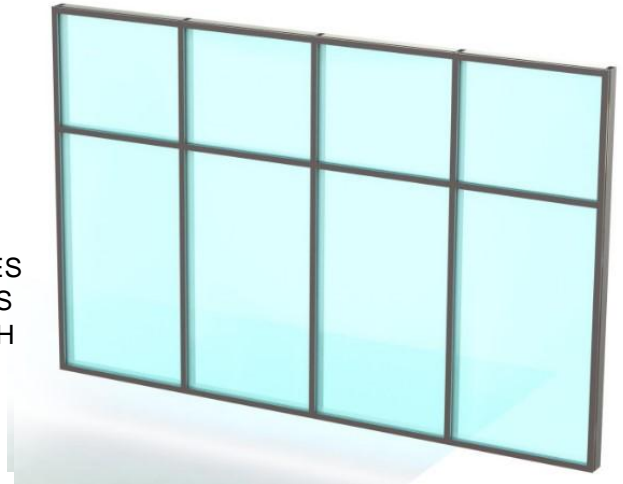
CW 8200 SERIES 2.5x5.25

HEAVY DUTY INSULATED CURTAIN WALL 2.5" X 5.25"

DESCRIPTION: SERIES 8000 CURTAIN WALL IS A COMPLETE SYSTEM TO FULLFILL YOUR BUILDING DESIGN REQUIREMENTS, THE SYSTEM OFFERS MULTIPLE TYPES, INCLUDING STICK CAPPED & SGG AS WELL AS WELL AS SPLIT CAPPED & SSG WITH OR WITHOUT HORIZONTAL EXPANSIONS.

APPLICATION:

THESE FOUR DESIGNS CAN BE USED SEPARATELY OR JOINTLY TO PROVIDE YOUR PROJECT THE UNIQUE APPEARANCE YOU ARE SEEKING. THIS SYSTEM INCLUDES 3", 4", 5-1/4", 6-5/8", 8" & 10" DEEP BACK SECTIONS. SERIES 8000 CURTAINWALL WILL CONSISTENTLY ACHIEVE A HIGH LEVEL OF QUALITY TO MEET OR EXCEED THE PERFORMANCE REQUIREMENTS AS SET BY THE CANADIAN STANDARD ASSOCIATION AND AAMA.



FINISH:

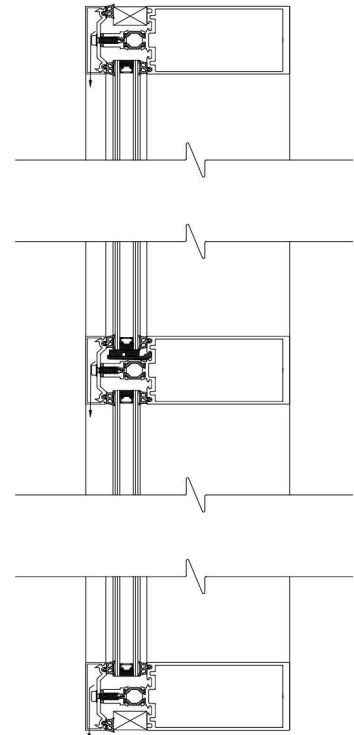
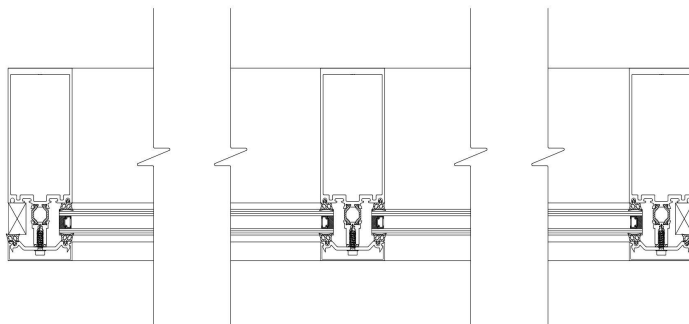
EXTERIOR AVAILABLE IN AAMA-2605 PAINT FINISH, STANDARD & CUSTOM COLOURS AND ANODIZED FINISHES.

MAXIMUM SIZE: 60"WIDE X 37"HIGH
(1524mm X 939mm)

MINIMUM SIZE: 21"WIDE X 18"HIGH
(533mm X 457mm)

GLAZING:

AVAILABLE IN ALL GLAZING OPTIONS, 1" O/A(25mm)



CW 8200 SERIES 2.5x5.25

HEAVY DUTY INSULATED CURTAIN WALL 2.5" X 5.25"

PERFORMANCE:

DESIGN CRITERIA

1. AIR INFILTRATION (ASTM E283) NOT TO EXCEED 0.05 l/s m^2 AT A STATIC AIR PRESSURE DIFFERENTIAL OF 300 Pa (6.24 psf).
2. WATER RESISTANCE (STATIC) (ASTM E331) NO LEAKAGE AT A STATIC AIR PRESSURE DIFFERENTIAL AT 960 Pa (20 psf) and 1436 Pa (30 psf)
3. UNIFORM LOAD (APPLIED IN THE POSITIVE AND NEGATIVE DIRECTION) (ASTM E330)
 - a. AT 2563 mm (102-1/2") SPAN FOR SPLIT MULLION
 - b. AT 3600 mm (144") SPAN FOR STICK SYSTEM
 - c. AT 4063 mm (162-1/2") SPAN FOR STICK SYSTEM
 - d. AT 4063 mm (162-1/2") SPAN FOR SPLIT MULLION
4. STRUCTURAL (AT TEST LOAD EQUAL TO 1.5 TIMES SPECIFIED TEST LOAD) NO GLASS BREAKAGE OCCURRED NOR PERMANENT DEFLECTION OF FRAMING MEMBERS EXCEEDED 0.1% OF THEIR CLEAR SPANS.
5. THERMAL RESISTANCE (U-FACTOR) (AAMA 1503 (OR NFRC 100))
THERMAL TRANSMITTANCE (U-FACTOR) AND CONDENSATION RESISTANCE (CRF):
 - a. 6mm (1/4") CLEAR, 13mm (1/2") AIR SPACE, 6mm (1/4") CLEAR, ALUMINUM SPACER "U-VALUE: 0.65 BTU / hr / ft² / δF"
 - b. 6mm (1/4") SN 68, 13mm (1/2") ARGON, 6mm (1/4") CLEAR, WARM EDGE SPACER "U-VALUE: 0.32 BTU / hr / ft² / δF"
6. SOUND TRANSMISSION LOSS (ASTM E90 AND ASTM E1425) STC AND OUTDOOR / INDOOR TRANSMISSION CLASS (OITC) SHALL NOT BE LESS THAN: STC 33 OR OITC 27 WHEN TESTED WITH BASE 25mm(1") INSULATING GLASS i.e. 6mm, 12.7mm AS, 6mm (1/4", 1/2" AS, 1/4")

