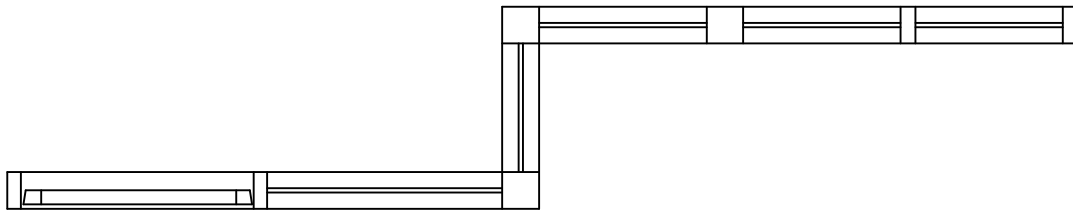
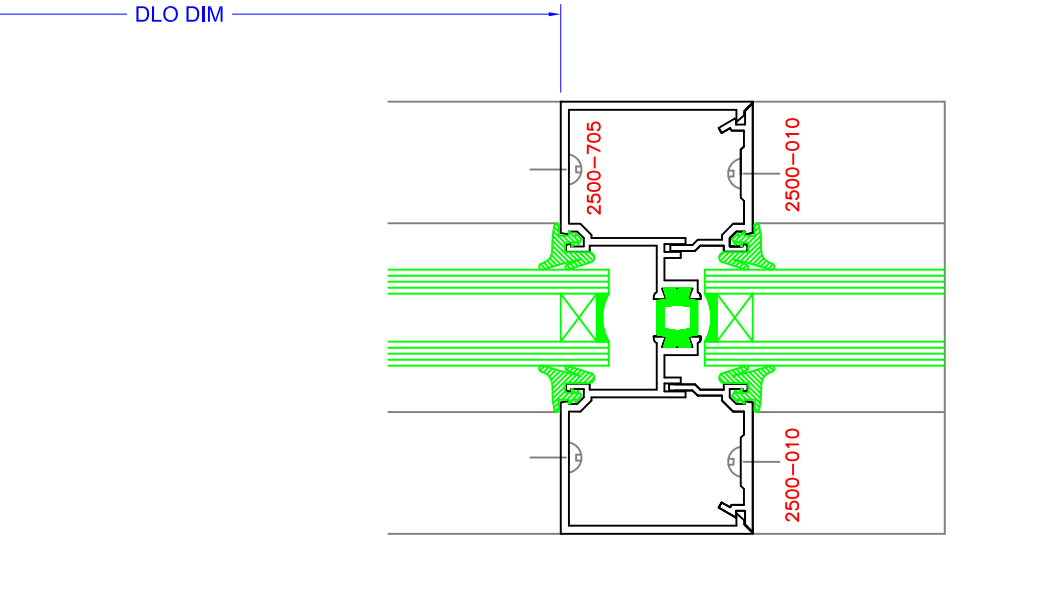
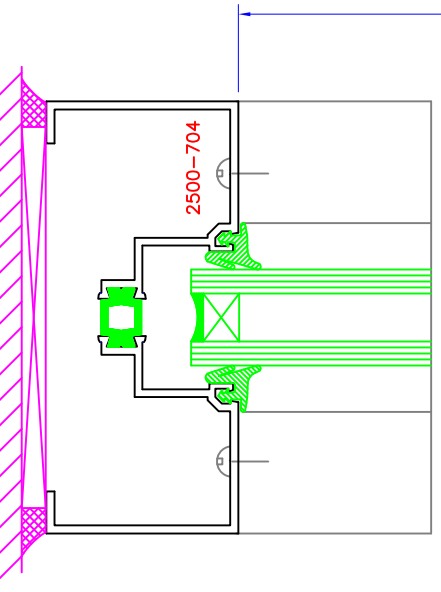
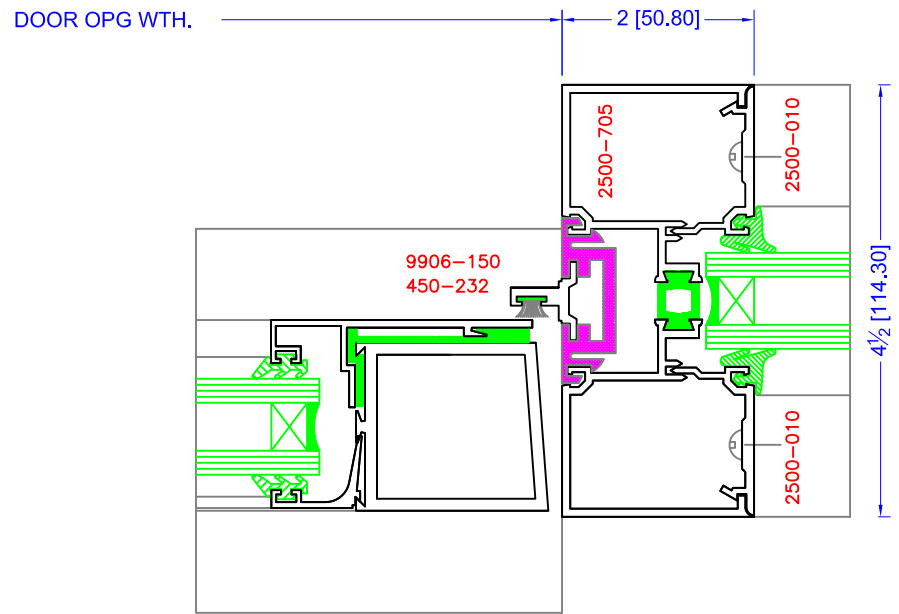
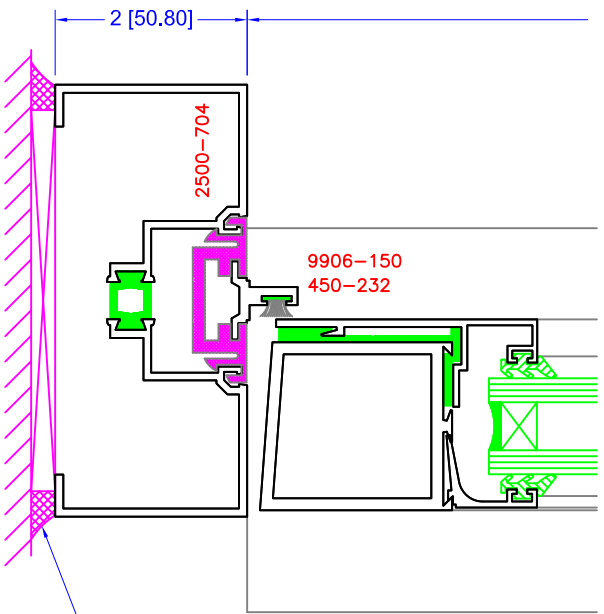


ELEVATION



PLAN



CONTS. SEALANT  
(TYP)

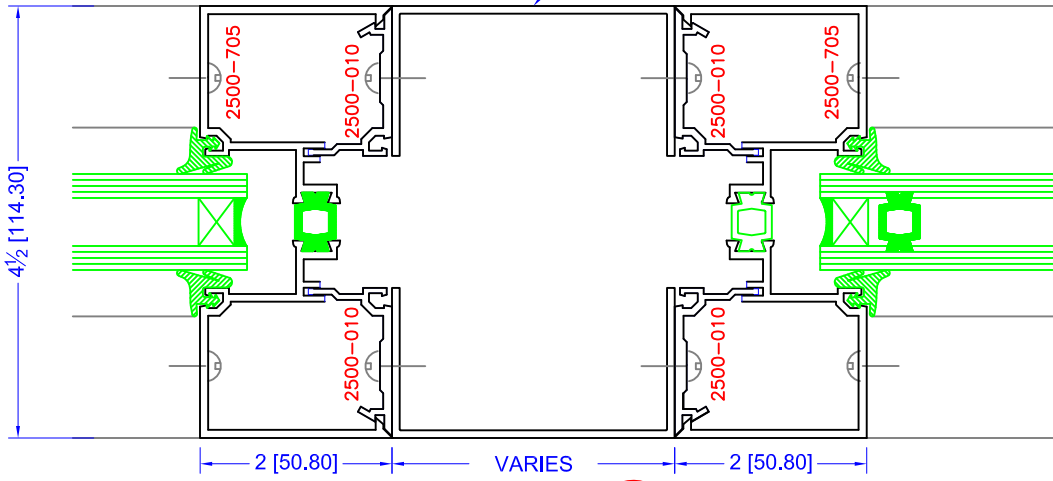
8

9

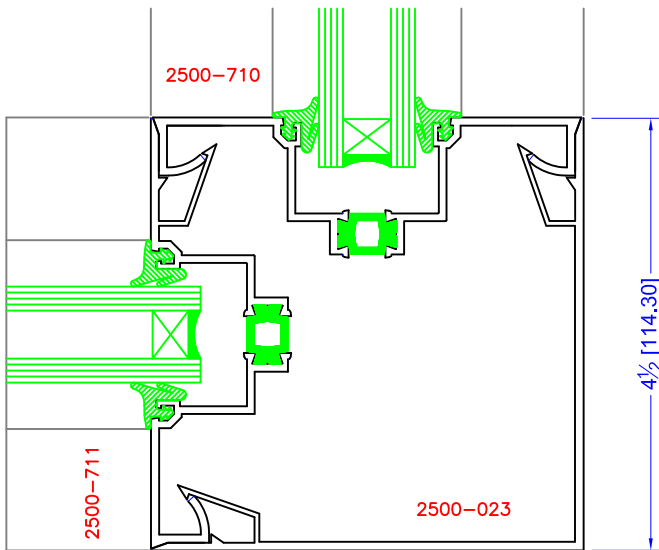
6

7

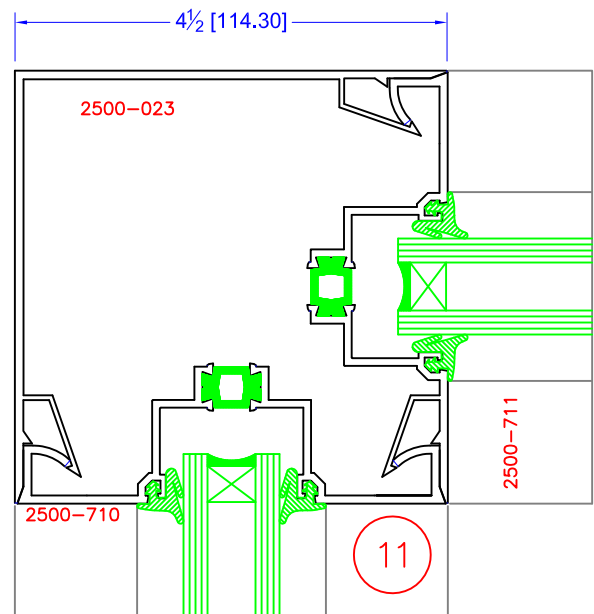
BREAK SHAPE AS REQUIRED



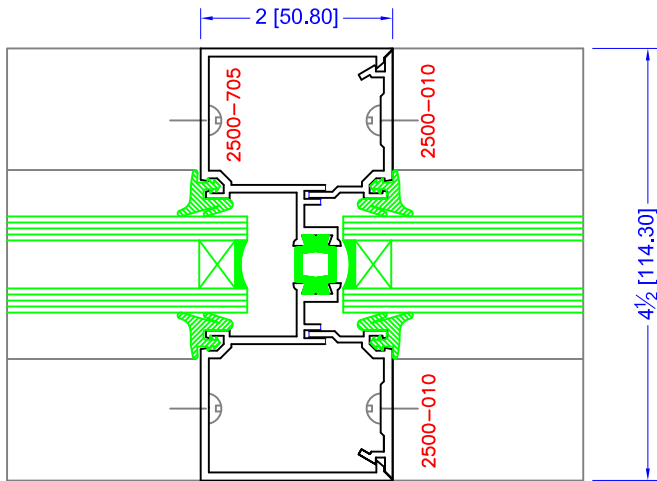
12



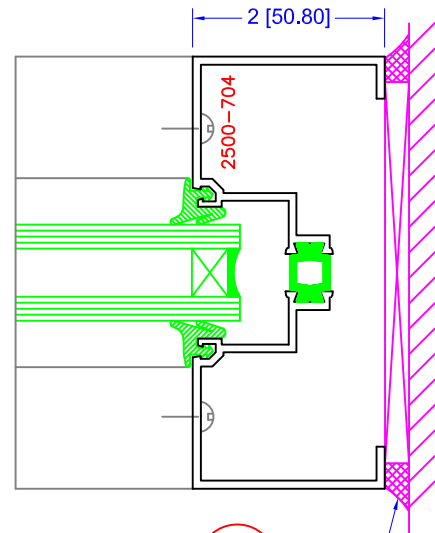
10



11

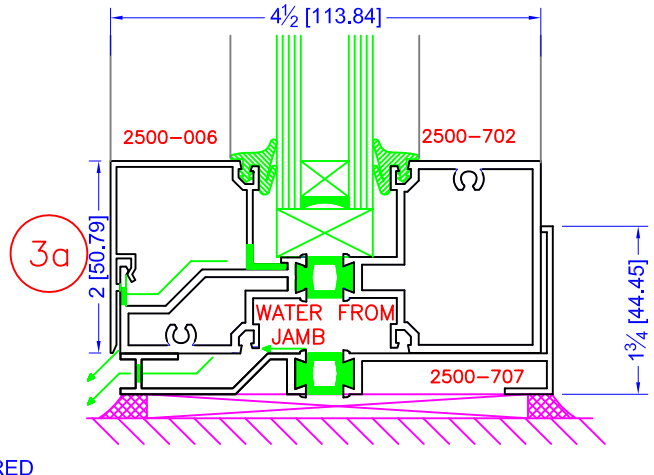
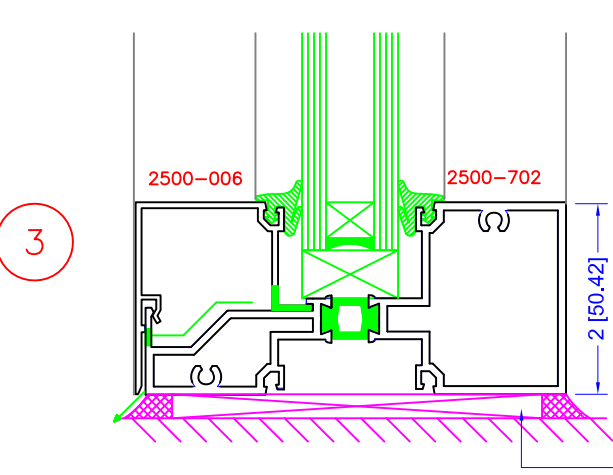
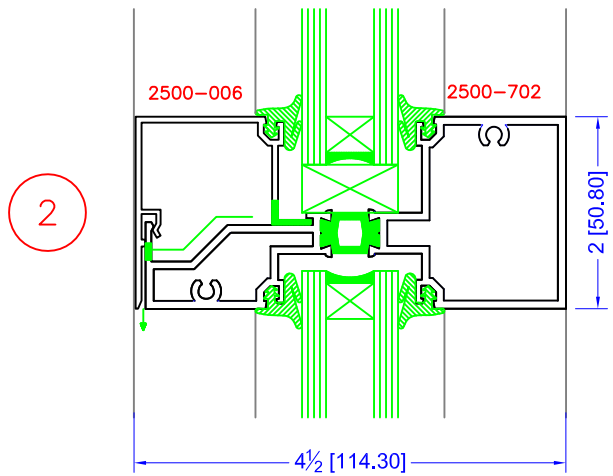
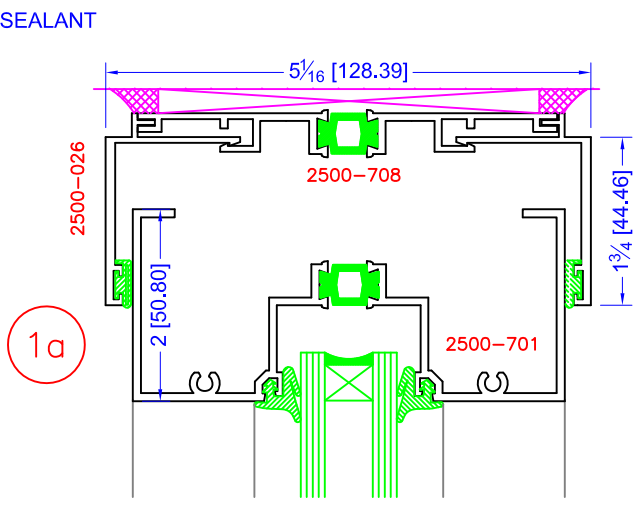
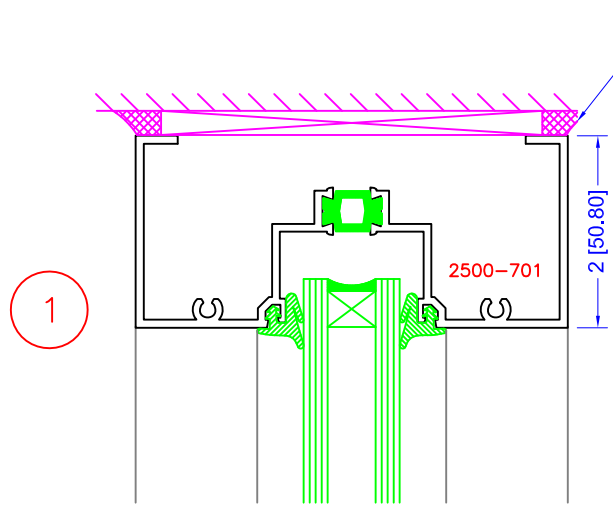


13



14

CONTS. SEALANT  
(TYP)



SHIM AS REQUIRED

