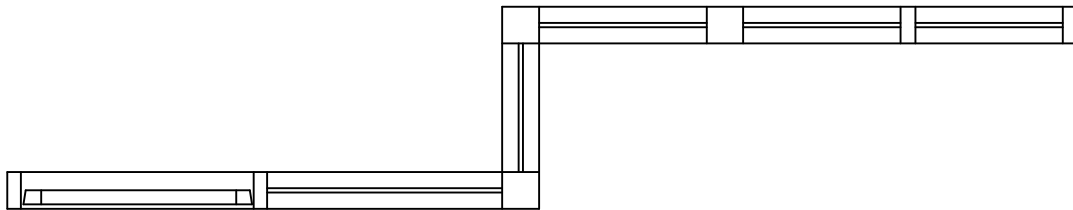
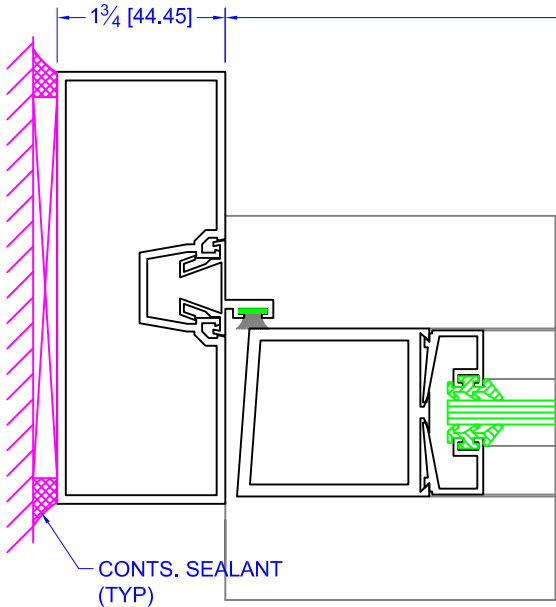


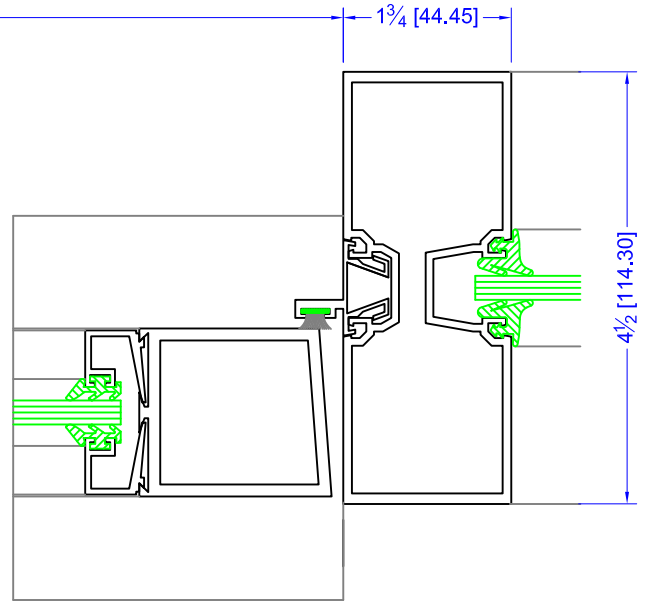
ELEVATION



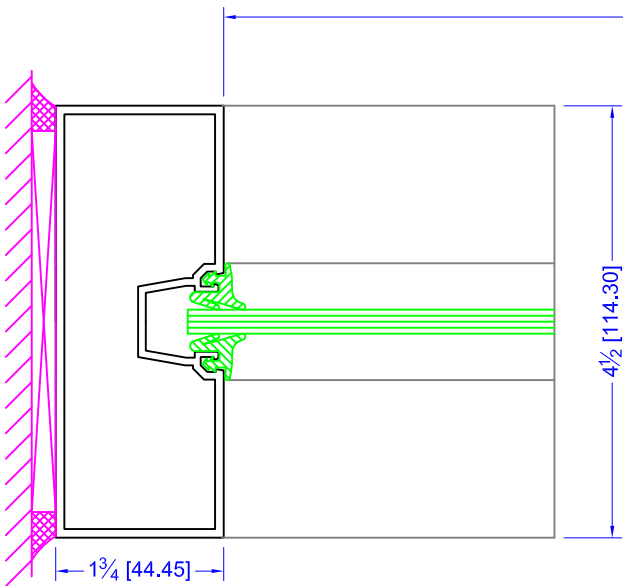
PLAN



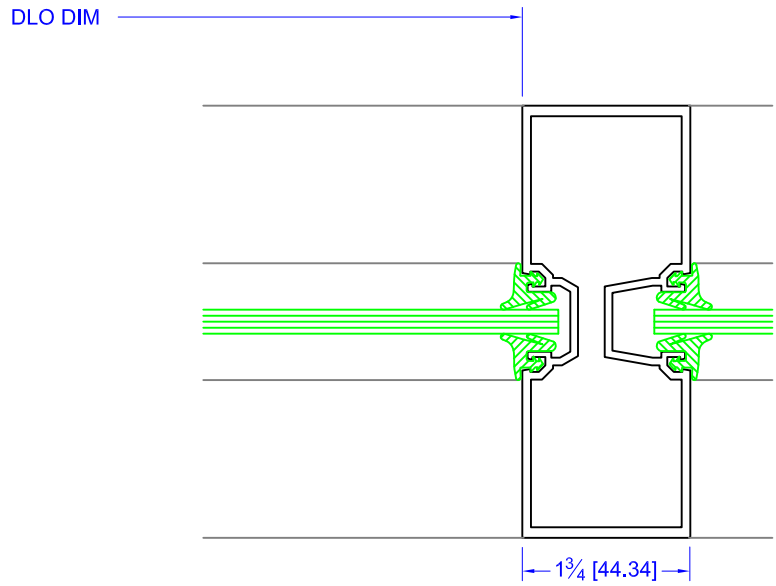
8



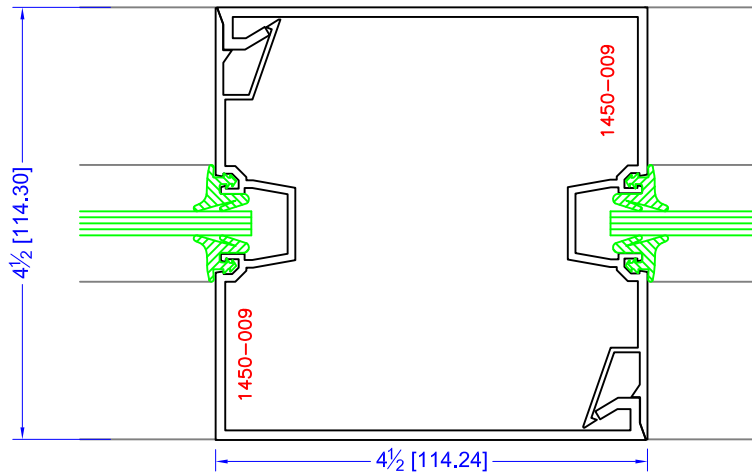
9



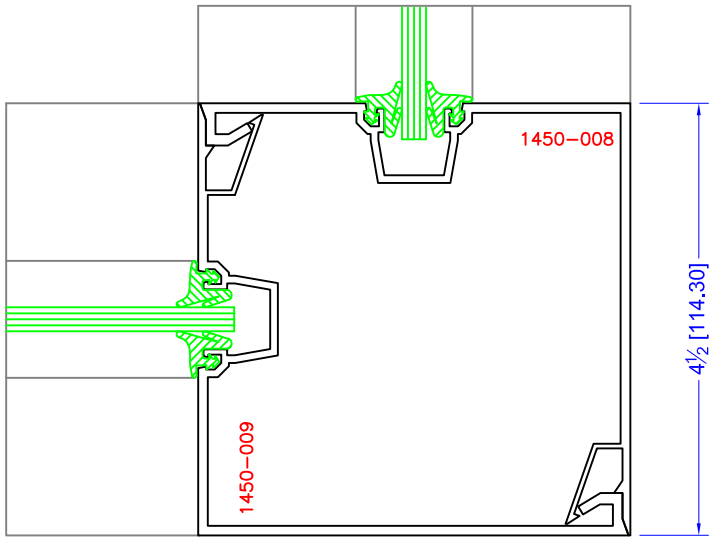
6



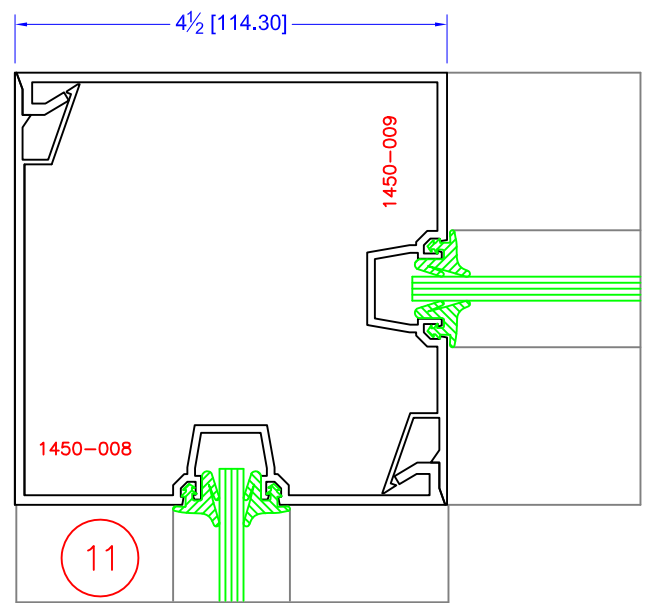
7



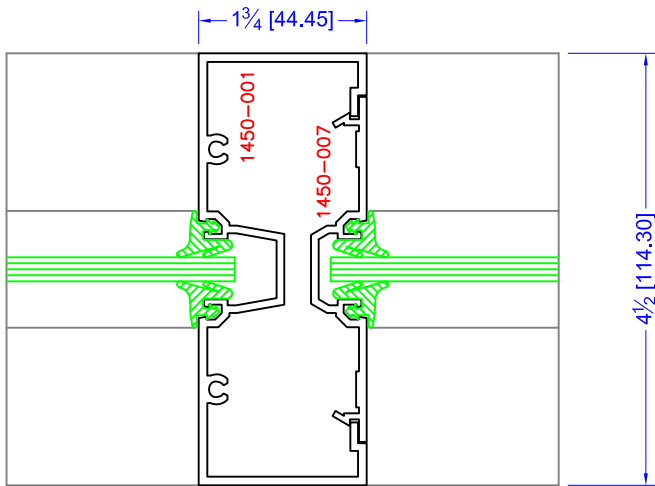
12



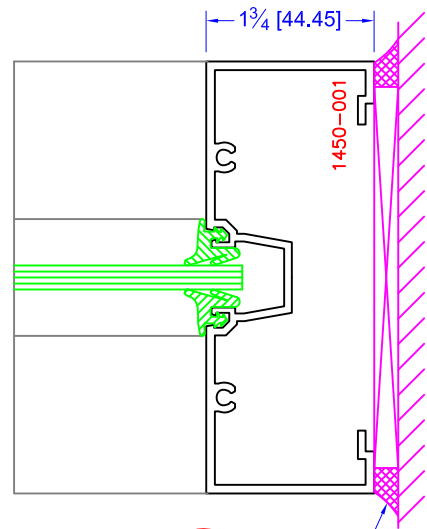
10



11



13



14

