

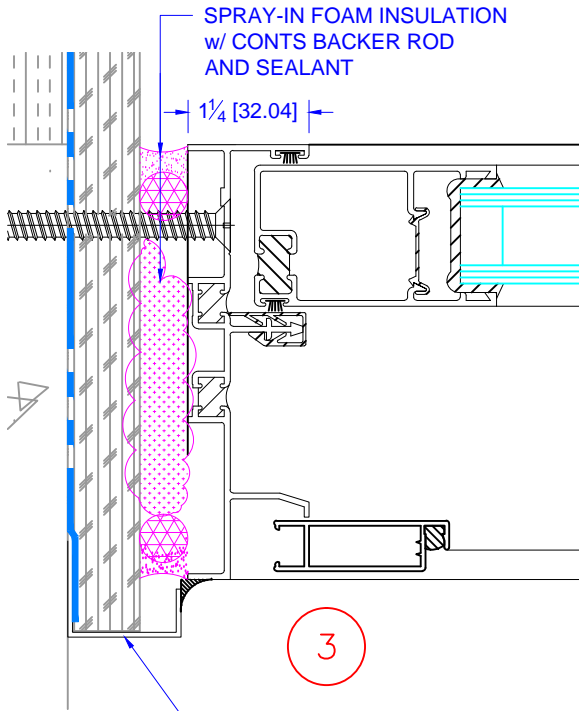
ELEVATION

NORSTAR
WINDOWS & DOORS LTD.

CUSTOMER

PROJECT
1200 SERIES PATIO DOOR
TYPICAL PLAN and
SECTION DETAILS

BY	JOB #	DATE	SCALE	PAGE
EB	0000	00/00 2012	NTS	01

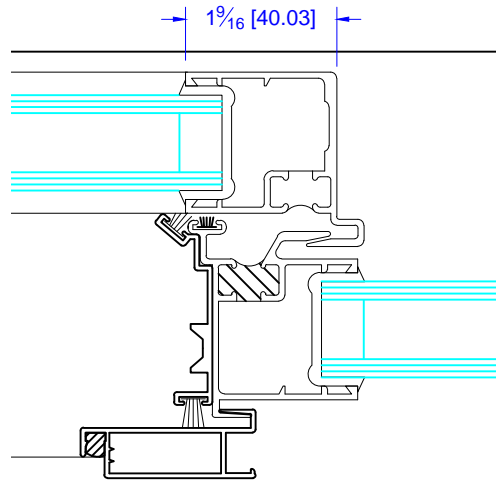


SPRAY-IN FOAM INSULATION
w/ CONTS BACKER ROD
AND SEALANT

1/4 [32.04]

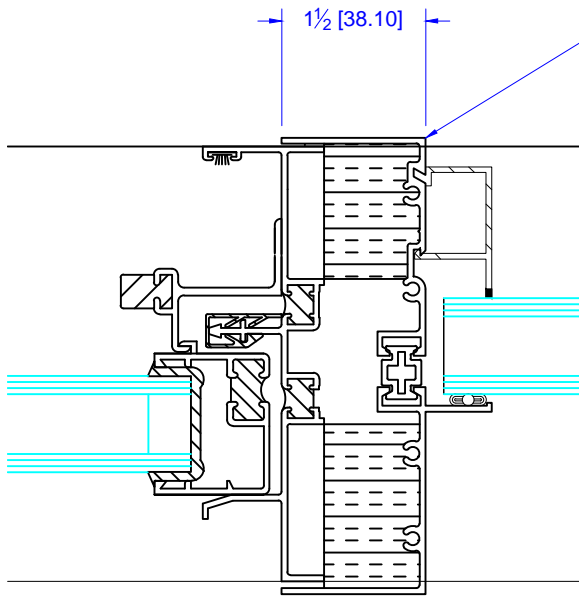
3

J-TRIM AS REQUIRED



1/16 [40.03]

4



1/2 [38.10]

SIKAFLEX 15LM AND
ENERFOAM AT EACH OVERLAP

5

NORSTAR
WINDOWS & DOORS LTD.

CUSTOMER

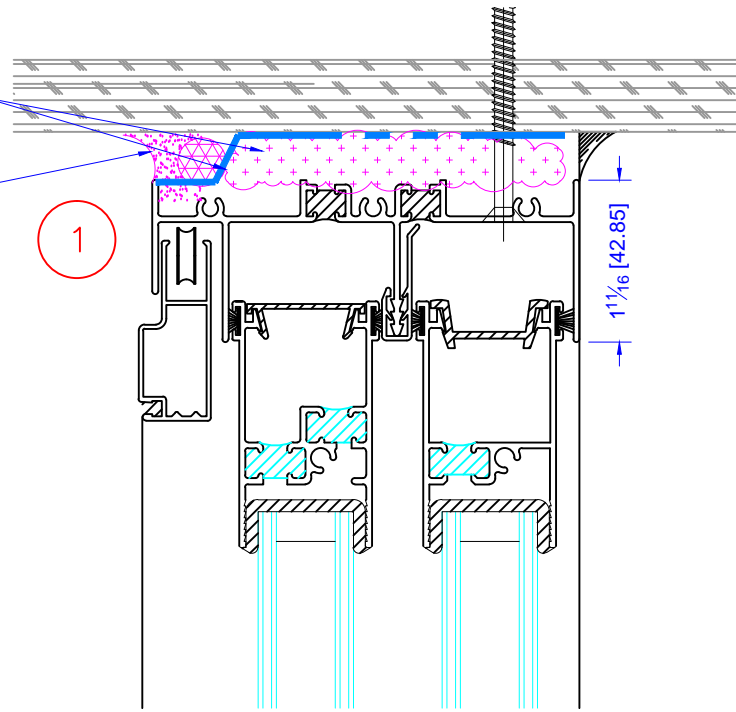
PROJECT
1200 SERIES PATIO DOOR
TYPICAL PLAN DETAILS

BY	JOB #	DATE	SCALE	PAGE
EB	0000	00/00 2012	6"=1'-0"	PD-1

SPRAY-IN FOAM
INSULATION AND AVB

CONTS. BACKER ROD
AND SEALANT

1



2

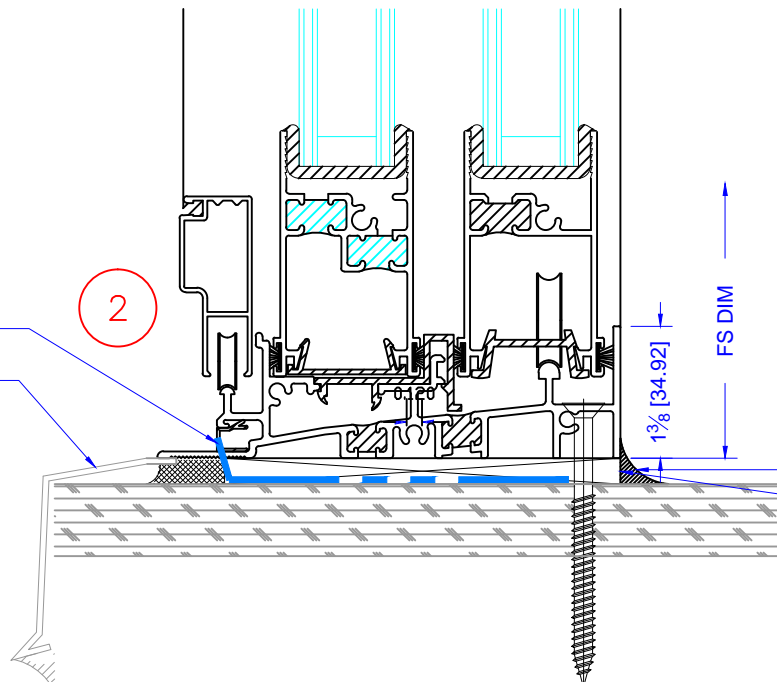
CONTS. AVB

ALUM. SILL FLASHING

FS DIM

1 3/8 [34.92]

CONTS. SEALANT
SHIM AS REQUIRED



NORSTAR
WINDOWS & DOORS LTD.

CUSTOMER

PROJECT
1200 SERIES PATIO DOOR
TYPICAL SECTION DETAILS

BY	JOB #	DATE	SCALE	PAGE
EB	0000	00/00 2012	6"=1'-0"	SD1