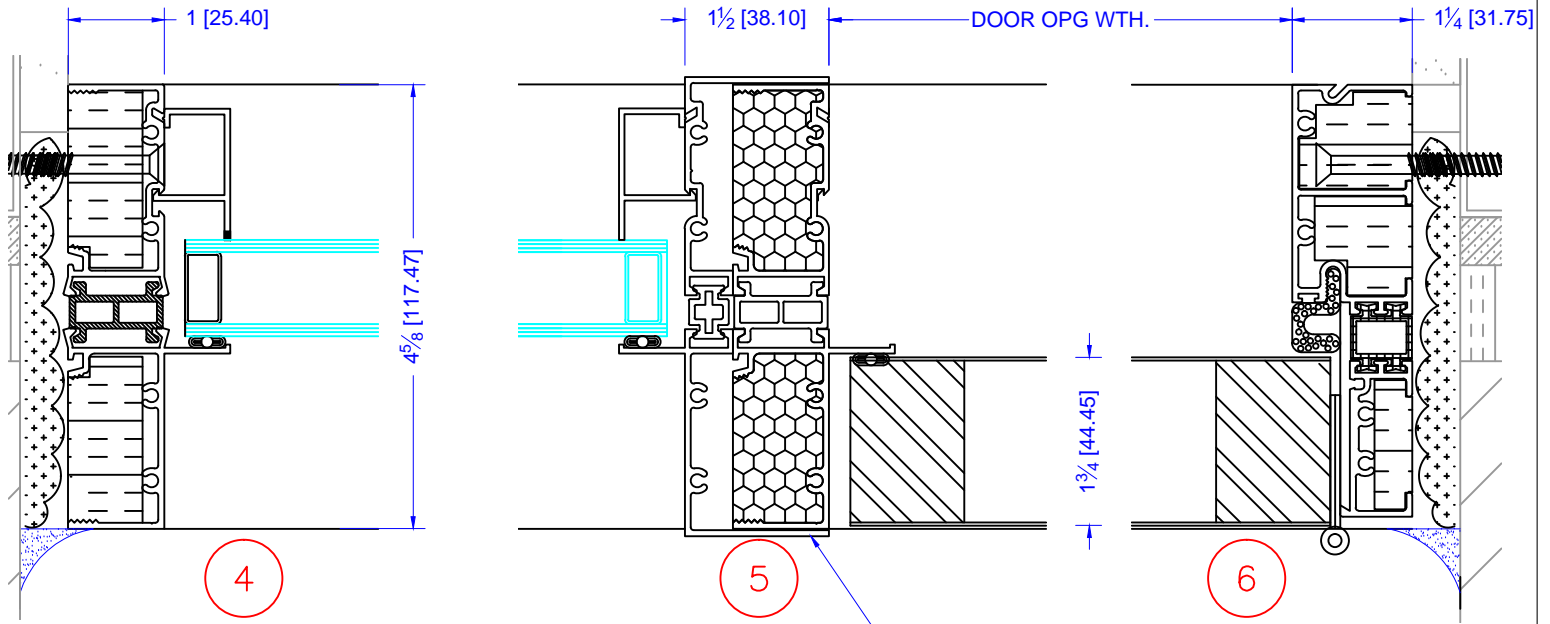


NORSTAR
WINDOWS & DOORS LTD.

CUSTOMER

PROJECT
1000 SERIES TYPICAL PLAN and
SECTION DETAILS

BY	JOB #	DATE	SCALE	PAGE
EB	0000	00/00 2012	NTS	01



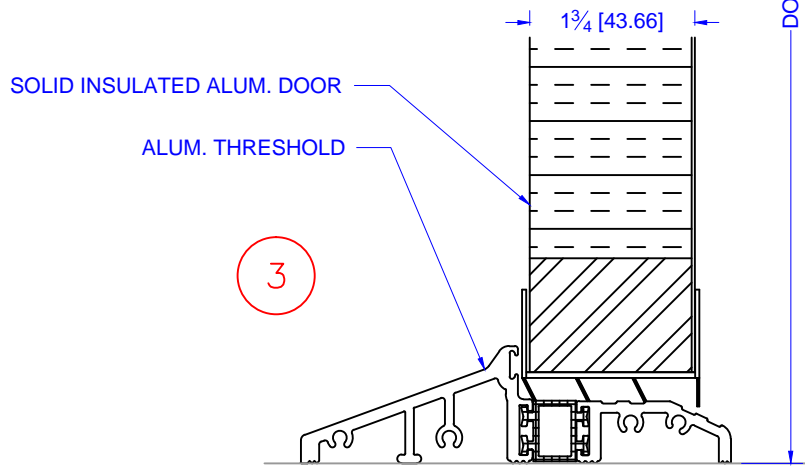
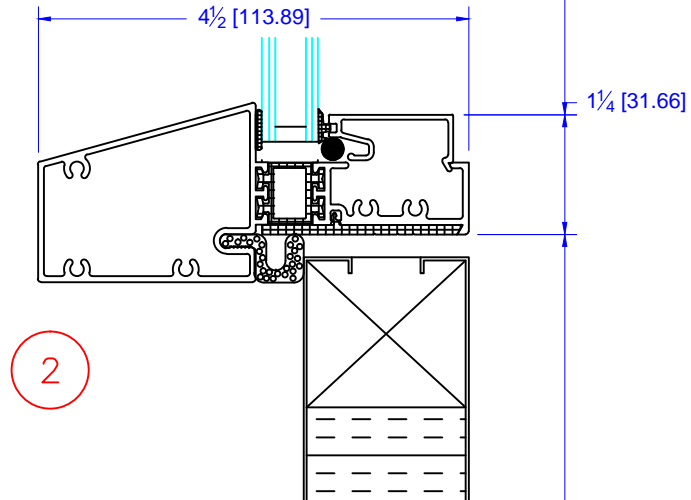
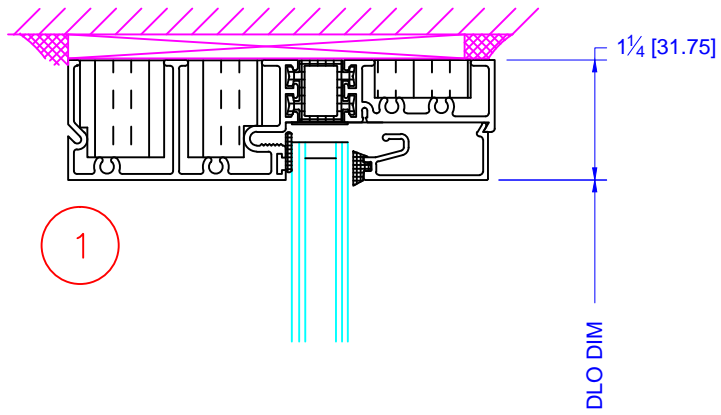
SIKAFLEX 15LM AND
ENERFOAM AT EACH OVERLAP

NORSTAR
WINDOWS & DOORS LTD.

CUSTOMER

PROJECT
1000 SERIES TYPICAL
PLAN DETAILS

BY	JOB #	DATE	SCALE	PAGE
EB	0000	00/00 2012	6"=1'-0"	PD-1



NORSTAR
WINDOWS & DOORS LTD.

CUSTOMER

PROJECT
1000 SERIES TYPICAL
SECTION DETAILS

BY	JOB #	DATE	SCALE	PAGE
EB	0000	00/00 2012	6"=1'-0"	SD1